

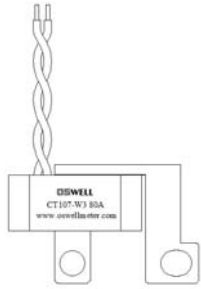
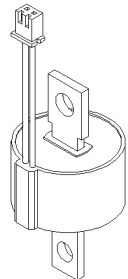
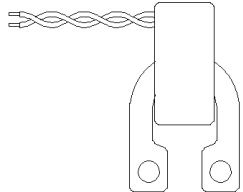
## Busbar Type CT

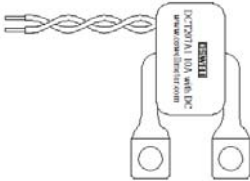
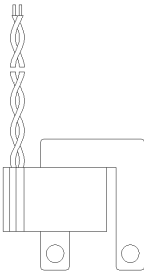
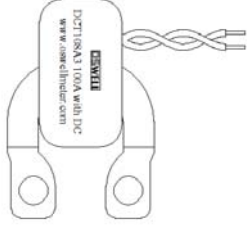
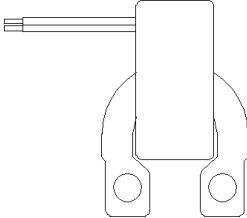


### Features:

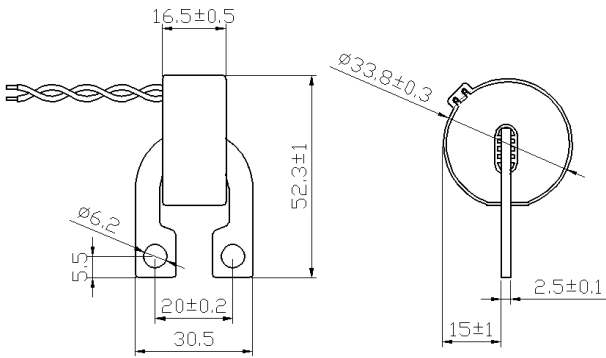
- Exquisite craft, Strict size control, Excellent material
- Strong insulation voltage between the primary and the secondary of CT >4kV/1min
- Attractive appearance, casing color and busbar structure is available on request
- Simple assembly, saving production cost
- Customized according to customer requirements

### Specification:

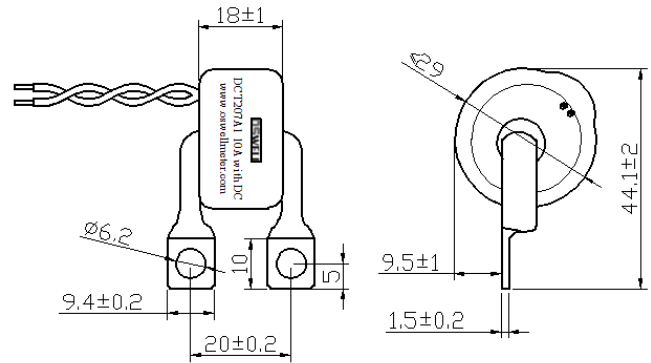
CT without DC Immunity						
Model No.	Current I <sub>max</sub>	Turns Ratio	Load	Phase Displacement	Accuracy	
CT107-W3	80A	1:2000	10Ω Max	< 15'	0.1Class	
CT108W1	100A	1:2500	12.5Ω Max	< 15'	0.1Class	
CT109-W1	120A	1:2000	12.5Ω Max	< 15'	0.1Class	

<b>CT with DC Immunity</b>						
When DC and even harmonics in AC current circuit is $I_{max}/\sqrt{2}$ , the variation of meter error within $\pm 3\%$ .						
Model No.	Current $I_{max}$	Turns Ratio	Load	Phase Displacement	Accuracy	
DCT207A1	10A	1:2500	20 $\Omega$ Max	< 15'	0.1Class	
DCT107W1	80A	1:2500	12.5 $\Omega$ Max	< 15'	0.1Class	
DCT108A3	100A	1:2500	12.5 $\Omega$ Max	< 15'	0.1Class	
DCT108-W2	100A	1:2500	12.5 $\Omega$ Max	< 15'	0.1Class	

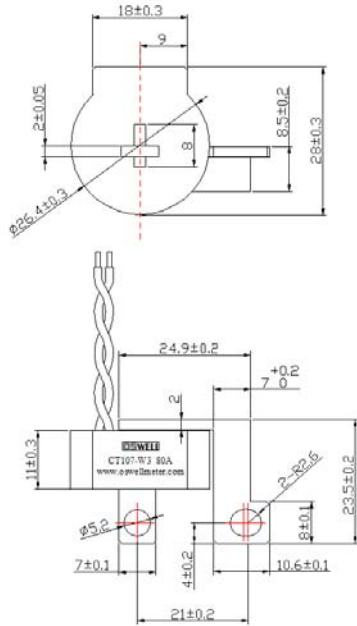
**Dimension:**



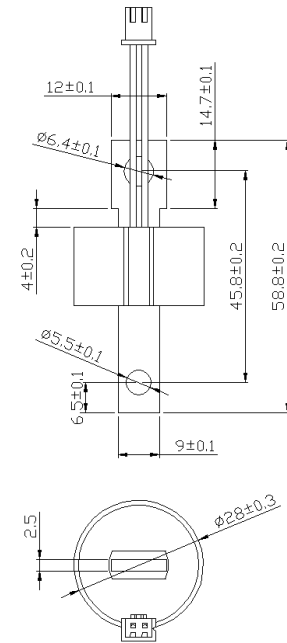
**CT109-W1**



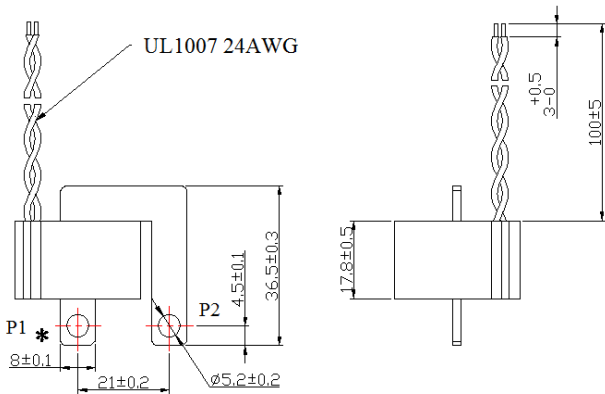
**DCT207A1**



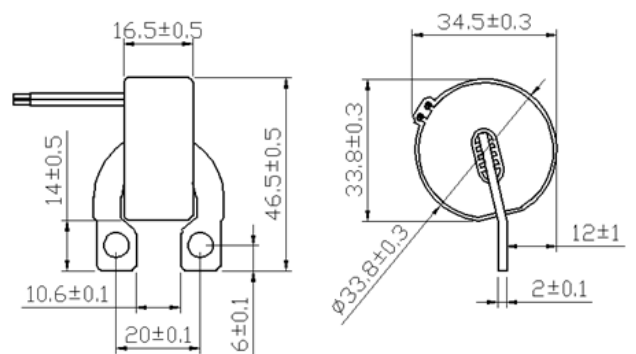
**CT107-W3**



**CT108W1**



**DCT107W1**



**DCT108-W2**